

91.990

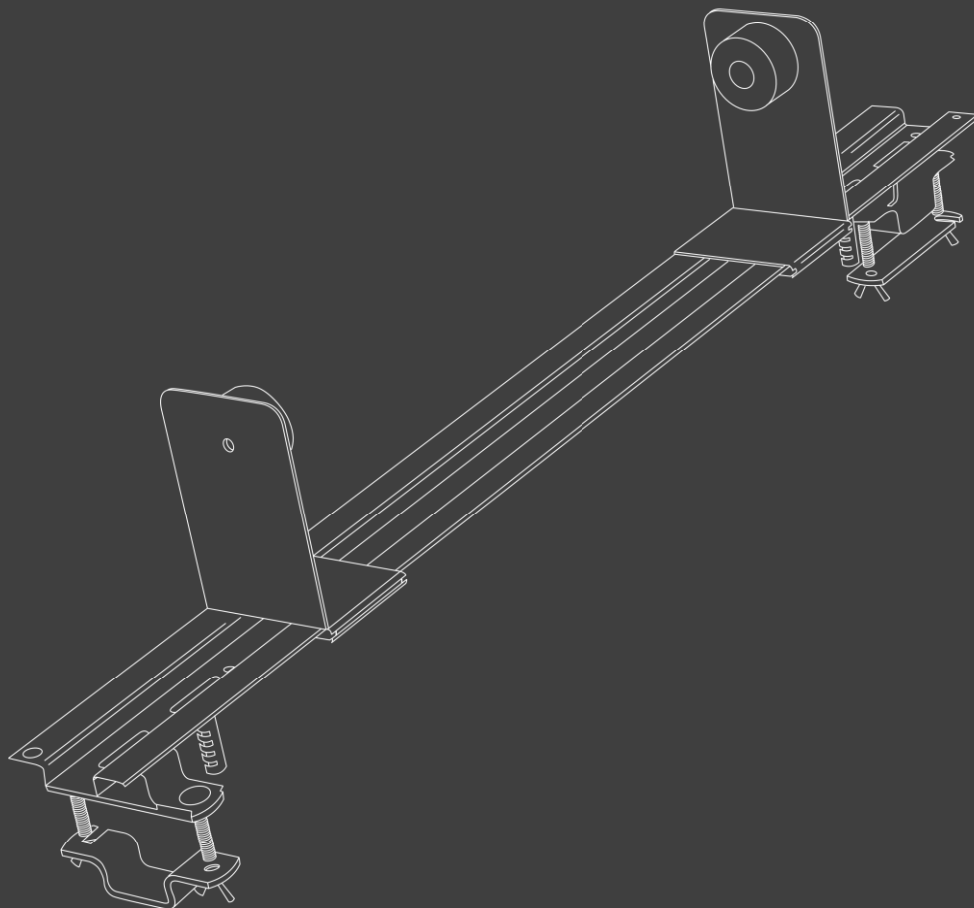
Halter für Liegenabdeckungsrollen

Abmessung
mm 115x65x7

Material
Edelstahl

Farbe
Edelstahl

Packaging
Einzel verpackt in weissem Karton / 1 Stk/Crt / mm 115x650x70



Size
mm 115x65x7

Material
Stainless steel

Color
Stainless steel

Packaging
Single packaging in white carton
1 Pc/Crt mm 115x650x70

Misure Art.
mm 115x65x7

Materiali
Acciaio INOX

Colore
Acciaio INOX

Packaging
Imballo singolo in cartone bianco
1 Pc/Bx mm 115x650x70

91.990

Holder for bed rolls

Supporto porta lenzuolini medici